

# SH 03P

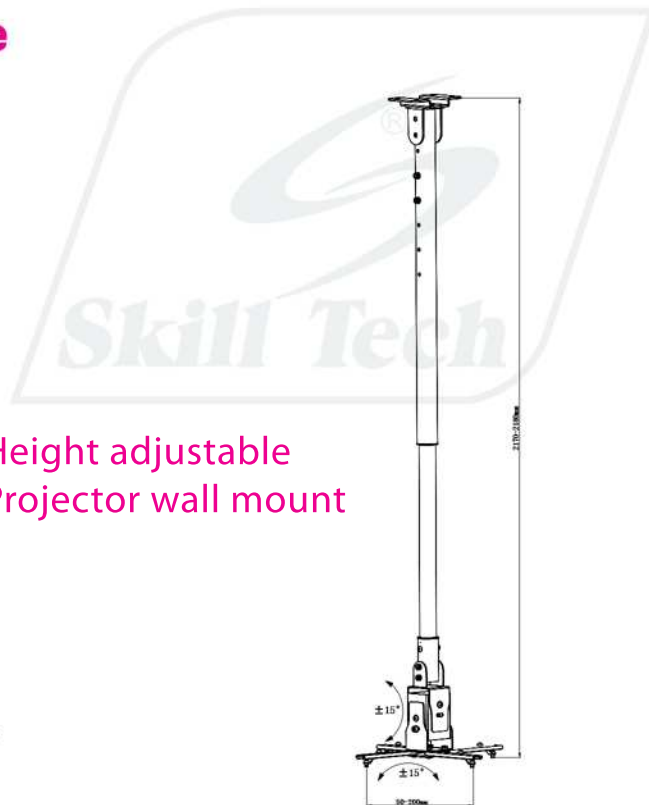
## Projector Wall Mount



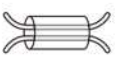
New Design,  
New Experience




Height adjustable  
Projector wall mount



  
Weight Capacity  
**25 Kgs**

  
Cable Management

  
Profile to Wall  
**2000mm**

  
Tilt Range  
**+15°-(-15°)**

